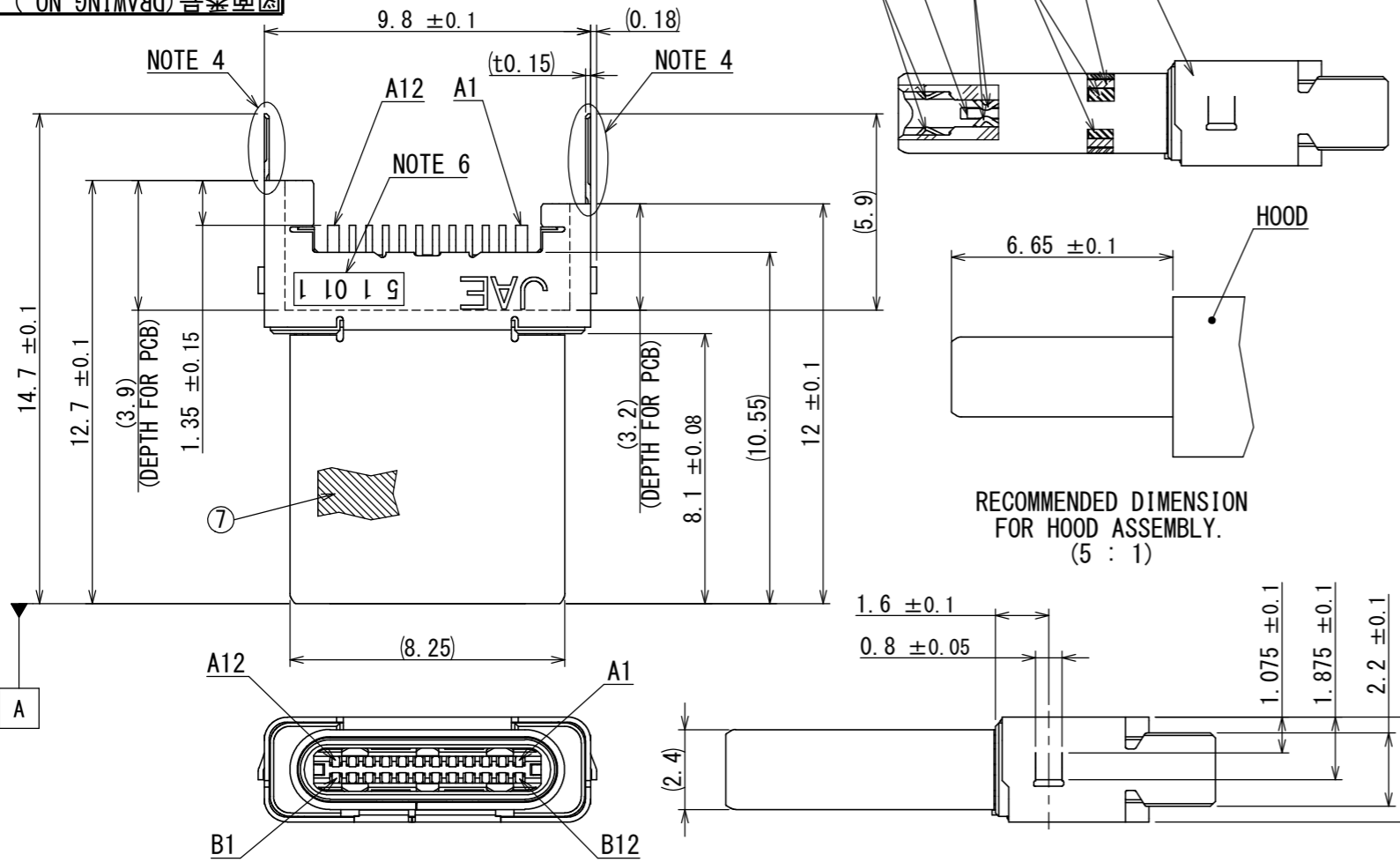
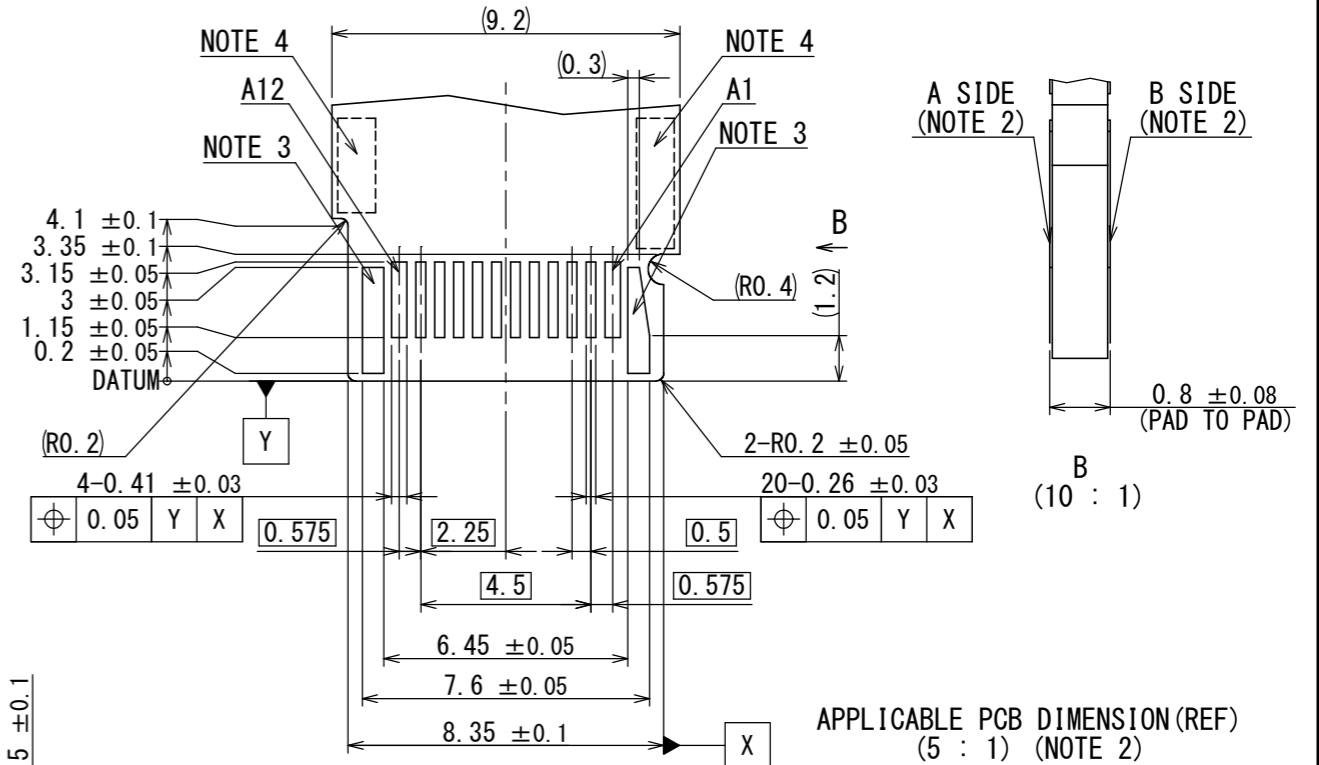


808911CS  
(ON DRAWING)台架図

版数 VER.	年月日 DATE	内容 CN NO.	変更内容 DESCRIPTION	製図 DR.	担当 CHK.	査閲 APPD.	承認 APPD.
------------	-------------	--------------	---------------------	-----------	------------	-------------	-------------



RECOMMENDED DIMENSION  
FOR HOOD ASSEMBLY.  
(5 : 1)



APPLICABLE PCB DIMENSION (REF)  
(5 : 1) (NOTE 2)

- NOTE 1. THERE COULD BE UNRECOGNIZABLE DIFFERENCES FROM ACTUAL PRODUCT DUE TO PROCESS CONVENIENCE BUT NOT IMPACT ON THE FUNCTION.  
 NOTE 2. PCB PADS CONFIGURATION BE SAME BETWEEN A SIDE AND B SIDE.  
 NOTE 3. THERE PADS BE WHERE A CONNECTOR HOLDS PCB. SHALL NOT BE ELECTRICAL USE NOT SOLDERED.  
 NOTE 4. RECOMMEND TO UTILIZE THE SIDE SHELL TABS BY SOLDERING TO PCB PADS FOR THE MECHANICAL STRENGTH.  
 NOTE 5. RECOMMEND TO KEEP THE CAP STAY IN PLACE UNTIL ALL THE PROCESSES DONE. THE CAP PREVENTS A CONNECTOR FROM DEFORMED AND CONTAMINATION DURING PROCESSES SUCH AS PADDLE CARD ASSEMBLY AND CABLE ASSEMBLY.  
 NOTE 6. LOT NUMBER IS MARKED AS INDICATED.

(EX) 5 1 01 1  
 YEAR MONTH DAY EQUIPMENT No. (NUMBER OR ALPHABET)  
 (END OF ONE DIGIT AT CHRISTIAN ERA)  
 (JAN. TO SEP. :1 TO 9, OCT. :0, NOV. :X, DEC. :Y)  
 (TWO-DIGITS NUMBER)

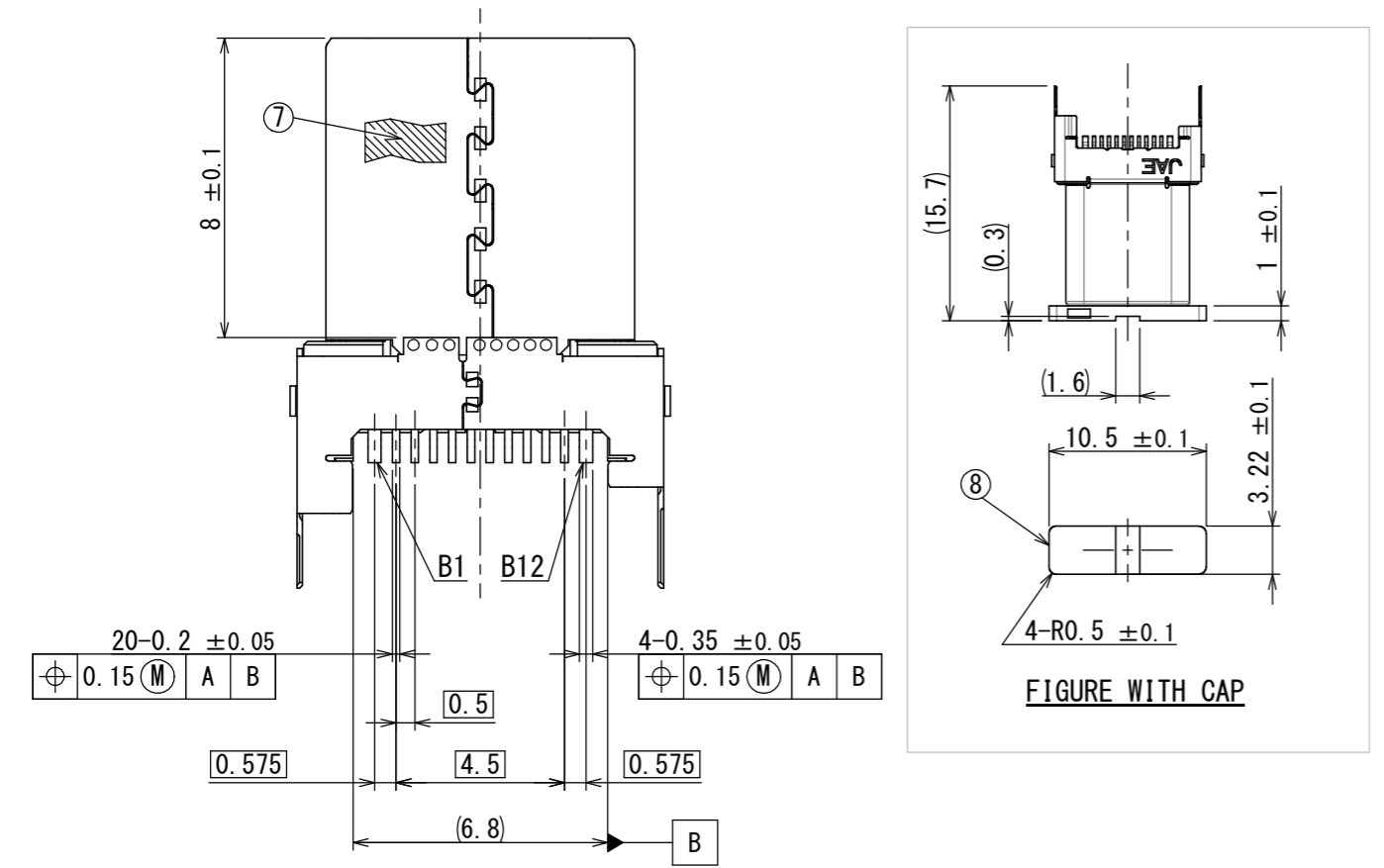


FIGURE WITH CAP

符号 NO.	名称 DESCRIPTION	個数 QTY.	材料 MATERIAL	仕上 FINISH	備考 REMARKS
8	CAP	1	HEAT RESISTING PLASTIC	(BLACK)	
7	TAPE	2	POLYIMIDE	-	
6	SHELL	1	STAINLESS STEEL	NICKEL PLATING	
5	GROUND SPRING	2	STAINLESS STEEL	NICKEL PLATING	
4	LOCK	1	STAINLESS STEEL	-	
3	INSULATOR B	2	HEAT RESISTING PLASTIC	(BLACK)	
2	INSULATOR A	1	HEAT RESISTING PLASTIC	(BLACK)	
1	CONTACT	24	COPPER ALLOY	CONTACT AREA: GOLD FLASH OVER PALLADIUM-NICKEL OVER NICKEL SOLDER TAILS: GOLD FLASH OVER NICKEL	

仕様書 (SPECIFICATION) JACS-30353 J AHL-30353		第1版 (ORIGINAL DATE) 16/MAR/2015	尺度 (SCALE) 5:1	シリーズ (SERIES) DX07	日本航空電子工業株式会社 JAE JAPAN AVIATION ELECTRONICS INDUSTRY, LTD.
一般公差 (GENERAL TOLERANCE) 寸法 (DIMENSION) ±0.8 × ±0.4 ×× ±0.1 ××× ±		製図 DR. — 担当 CHK. Y. SAITOU 査閲 APPD. — 承認 APPD. T. MASUMOTO	名称 (TITLE) DX07P024MJ1		
角度 (ANGLES) ×° ± ×°×' ±		質量 (MASS)	図面番号 (DRAWING NO.) SJ115803		版数 (VER.) 1

DCF-C-212H(12.08)

WISDOM承認 2015/03/21